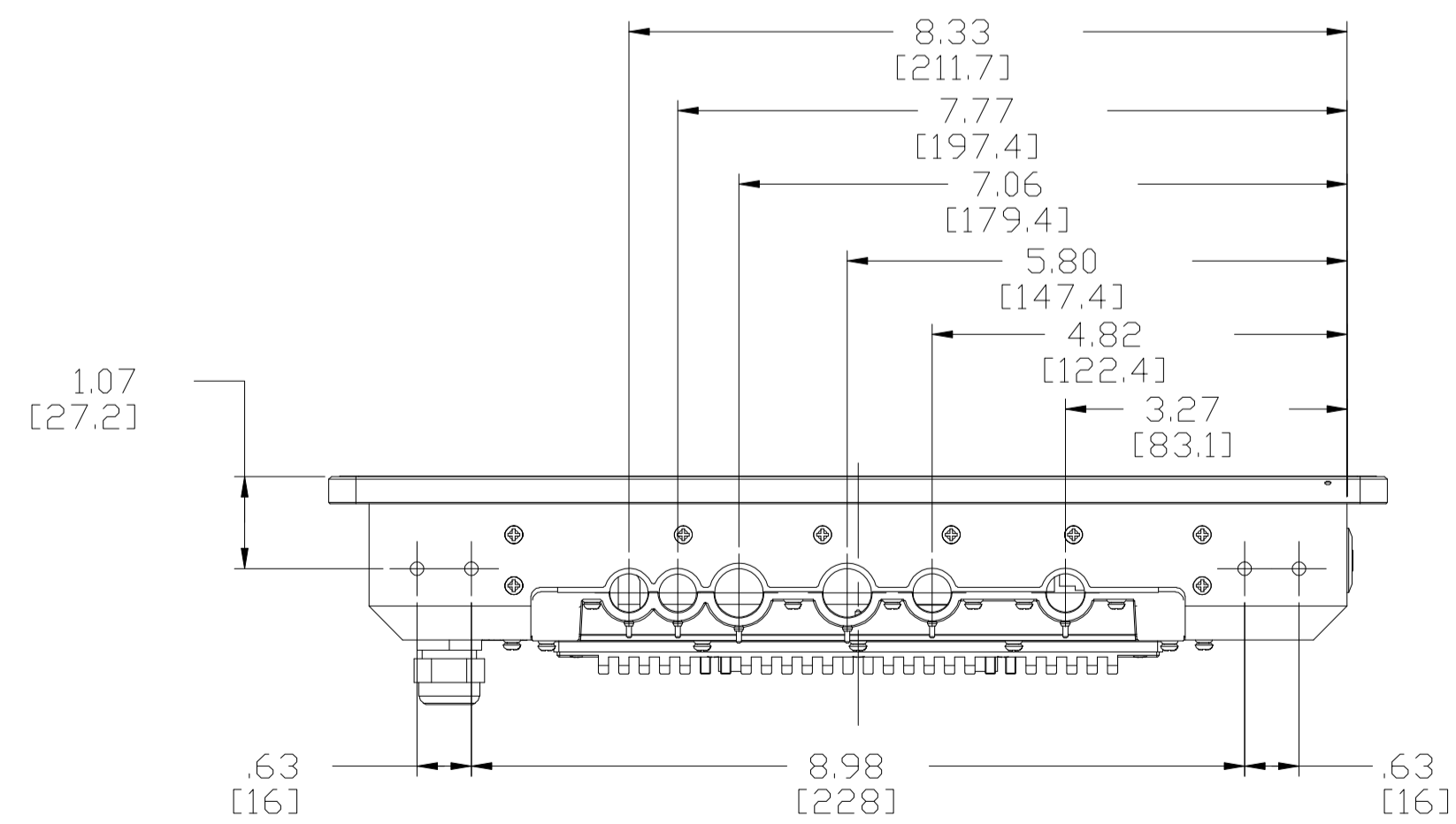
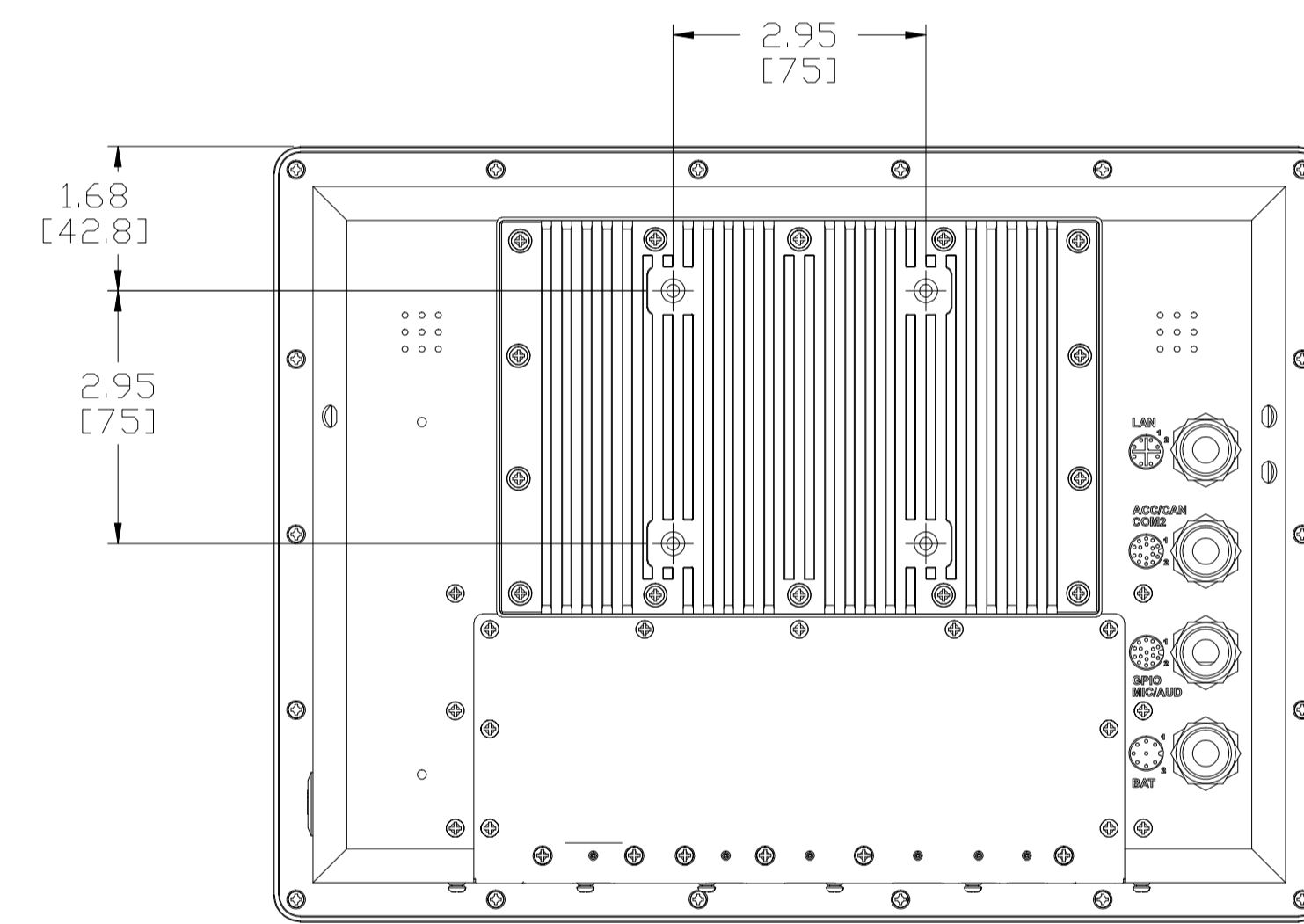
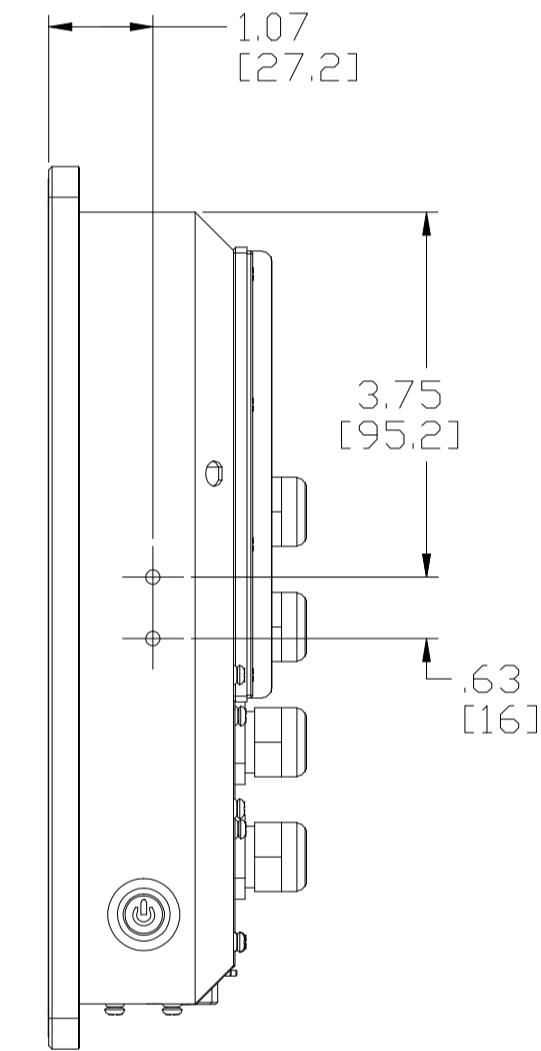
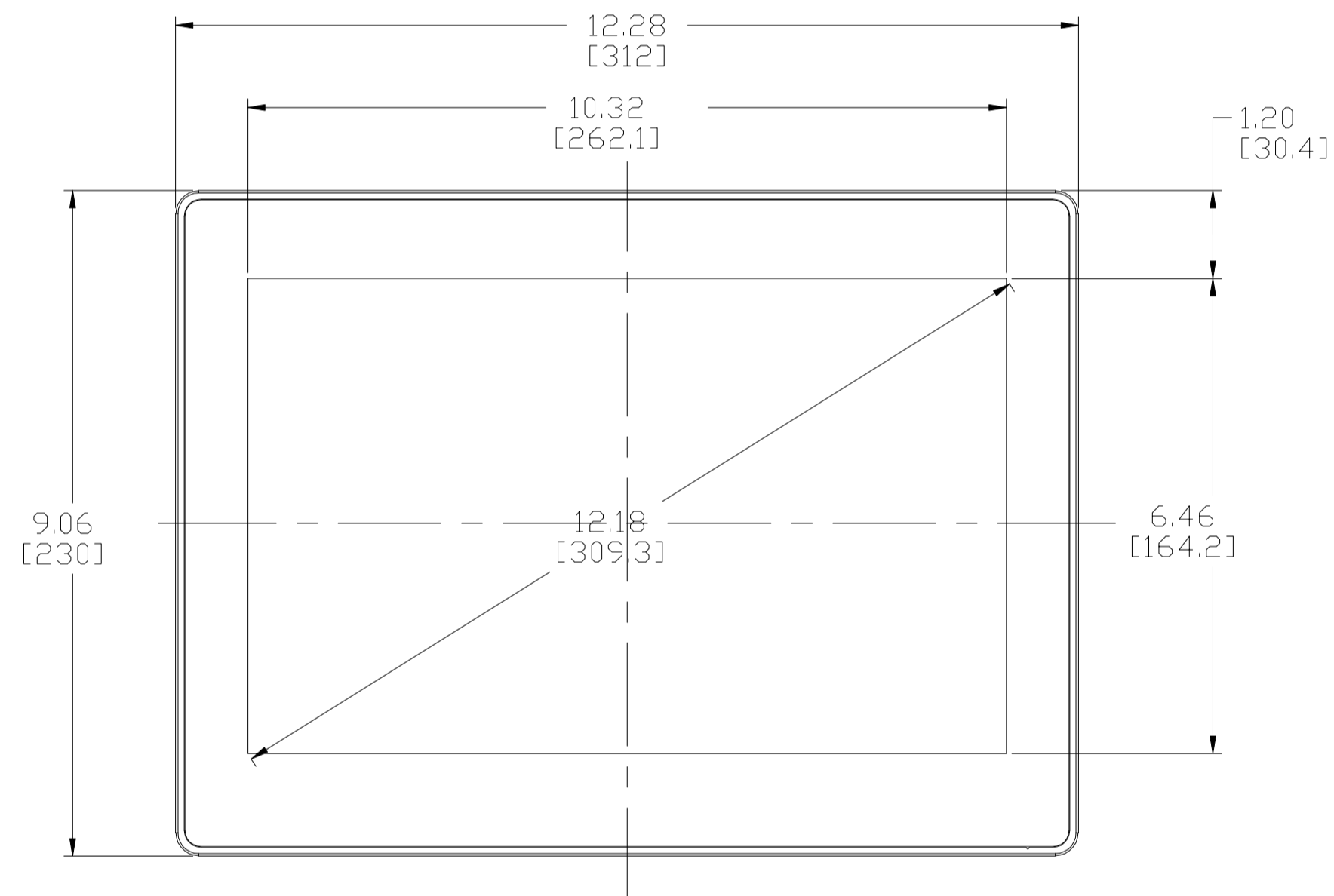
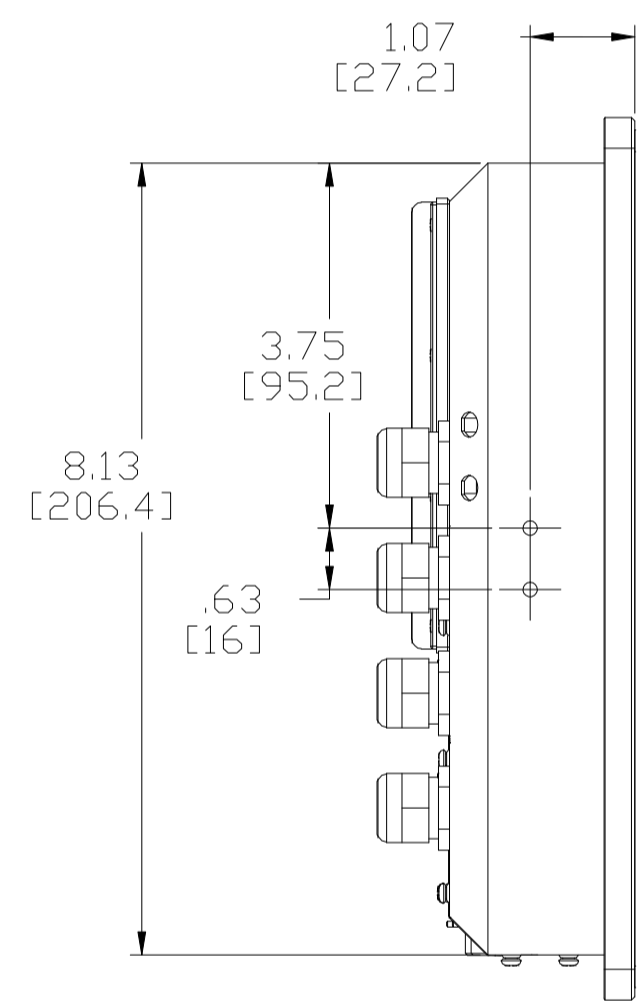


比例 0.500



ALL DIMENSIONS IN MILLIMETRES
 THIRD ANGLE PROJECTION

TOLERANCES	A	B	C	XXXXXXXX					
0-30mm	±0.1	±0.25	±0.6	TITLE FOR DP12					
30-120mm	±0.15	±0.46	±1.1						
120-315mm	±0.2	±0.6	±1.6						
>315mm	±0.3	±1.1	±2.5						
DRN	Pellon								
CHECKED									
DESIGN	Pellon			SIZE	FSCM NO.	DWG NO.	XXXXXX	REV	A1
DATE	9/14/19'			SCALE	INV. NO.	SHEET	DF		